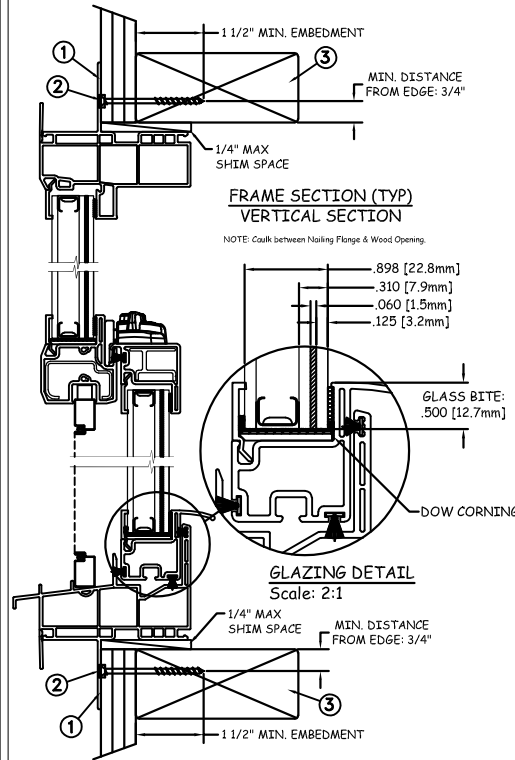
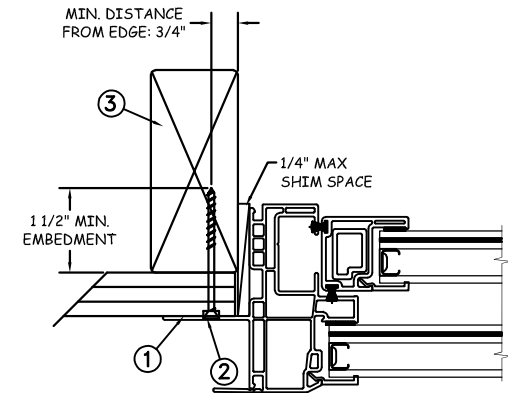


TYPICAL ELEVATION WITH FASTENER SPACING



NAIL FIN INSTALLATION



Max Frame	DP RATING	IMPACT
48 x 84	+50/-55	YES

WINDZONE 2

Installation Notes:

1. Seal flange/frame to substrate. Sill shall be set on a continuous serpentine bead of structural grade silicone caulk when no fastener is used to anchor the sill (typical).
2. Use #8 PH or greater fastener through the nail fin with sufficient length to penetrate a minimum of 1 1/2" into the wood framing. For two (2X) wood frame substrate (min. S.G. = 0.42).
3. Host structure (wood buck, masonry, steel) to be designed and anchored to properly transfer all loads to the structure. The host structure is the responsibility of the architect or engineer of record for the project of installation.

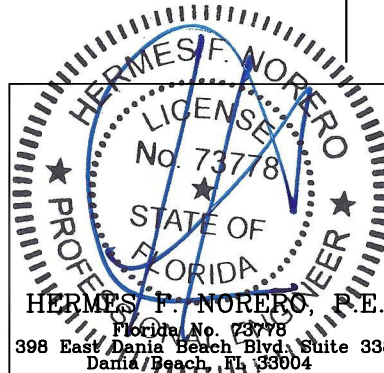
General Notes:

1. The product shown herein is designed, tested and manufactured to comply with the wind load criteria of the adopted International Building Code(IBC), the International Residential Code(IRC), the Florida Building Code(FBC) including HVHZ and the industry requirement for the stated conditions.
2. All glazing shall conform to ASTM E1300.
3. At minimum, glazing shall be 3.2mm annealed - 11.8mm airspace - 3.2mm annealed - 1.5mm PVB Interlayer by Kuraray - 3.2mm annealed insulated glass.
4. Use structural or composite shims where required.

This schedule addresses only the fasteners required to anchor the window to achieve the rated design pressure up to the size limitations noted. It is not intended as a guide to the installation process and does not address the sealing consideration that may arise in different wall conditions. For the complete installation procedure, see the instructions packaged with the window or go to www.jeld-wen.com/resources/installation.

DISCLAIMER:

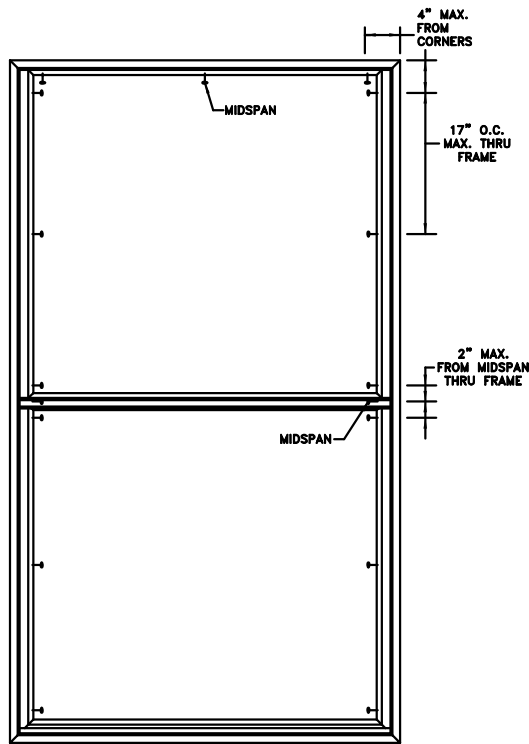
This drawing and its contents are confidential and are not to be reproduced or copied in whole or in part or used or disclosed to others except as authorized by JELD-WEN Inc.



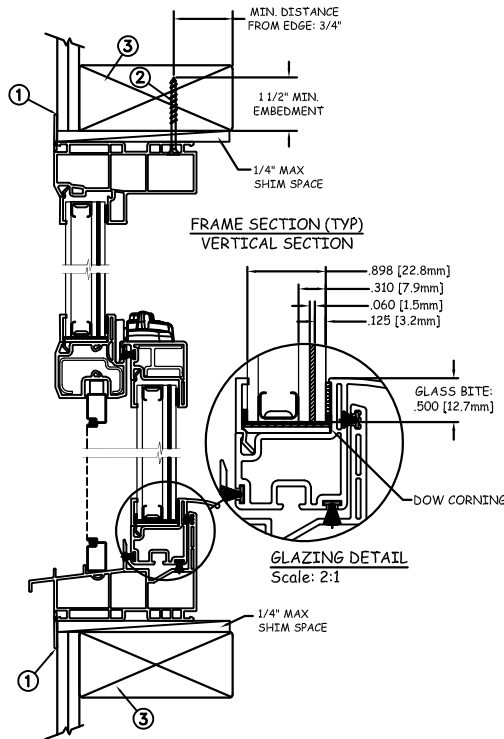
PROJECT ENGINEER: ---	DATE: 08/07/18
DRAWN BY: A. MCMILLAN	SCALE: NTS
CHECKED BY: N. STRAHM	TITLE: Premium Vinyl Tilt Single Hung Impact Window
APPROVED BY: J. GOOSSEN	
PART/PROJECT No.: D014522	
IDENTIFIER No. NCTL-110-160129	PLANT NAME AND LOCATION:

JELD-WEN 3737 Lakeport Blvd
Klamath Falls, OR. 97601
Phone: (800) 535-3936

CAD DWG. No.: PremVinylTSH Cert	REV: A	SHEET 1 OF 4
------------------------------------	-----------	-----------------

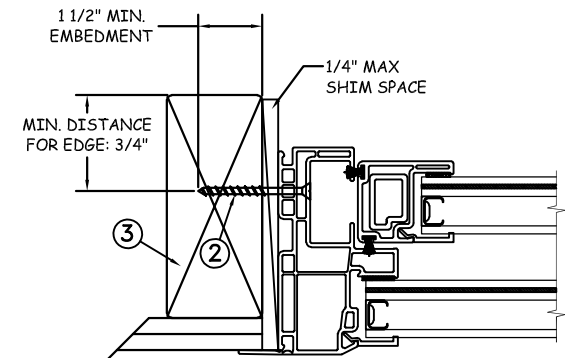


TYPICAL ELEVATION WITH FASTENER SPACING



GLAZING DETAIL
Scale: 2:1

THROUGH FRAME
INSTALLATION



JAMB SECTION (TYP)
HORIZONTAL SECTION

Max Frame	DP RATING	IMPACT
48 x 84	+50/-55	YES

WINDZONE 2

Installation Notes:

1. Seal flange/frame to substrate. Sill shall be set on a continuous serpentine bead of structural grade silicone caulk when no fastener is used to anchor the sill (typical).
2. Use #8 PH or greater fastener through the frame with sufficient length to penetrate a minimum of 1 1/2" into the wood framing. For two (2X) wood frame substrate (min. S.G. = 0.42).
3. Host structure (wood buck, masonry, steel) to be designed and anchored to properly transfer all loads to the structure. The host structure is the responsibility of the architect or engineer of record for the project of installation.

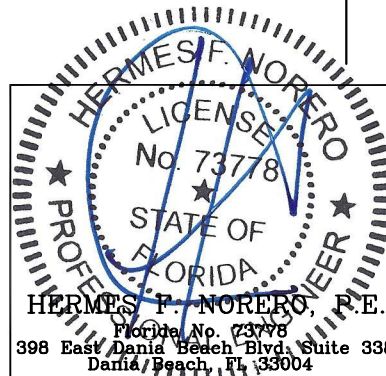
General Notes:

1. The product shown herein is designed, tested and manufactured to comply with the wind load criteria of the adopted International Building Code(IBC), the International Residential Code(IRC), the Florida Building Code(FBC) including HVHZ and the industry requirement for the stated conditions.
2. All glazing shall conform to ASTM E1300.
3. At minimum, glazing shall be 3.2mm annealed - 11.8mm airspace - 3.2mm annealed - 1.5mm PVB Interlayer by Kuraray - 3.2mm annealed insulated glass.
4. Use structural or composite shims where required.

This schedule addresses only the fasteners required to anchor the window to achieve the rated design pressure up to the size limitations noted. It is not intended as a guide to the installation process and does not address the sealing consideration that may arise in different wall conditions. For the complete installation procedure, see the instructions packaged with the window or go to www.jeld-wen.com/resources/installation.

DISCLAIMER:

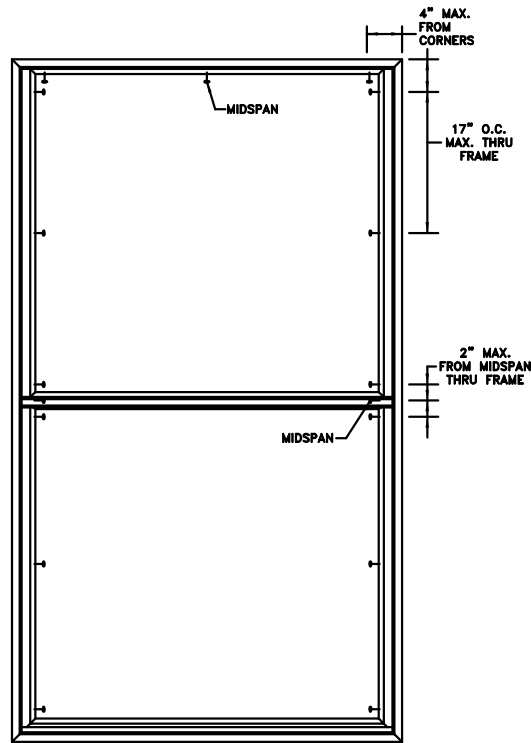
This drawing and its contents are confidential and are not to be reproduced or copied in whole or in part or used or disclosed to others except as authorized by JELD-WEN Inc.



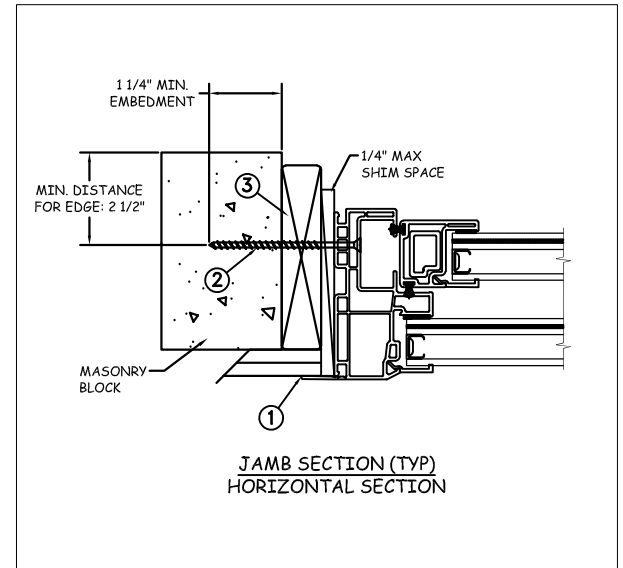
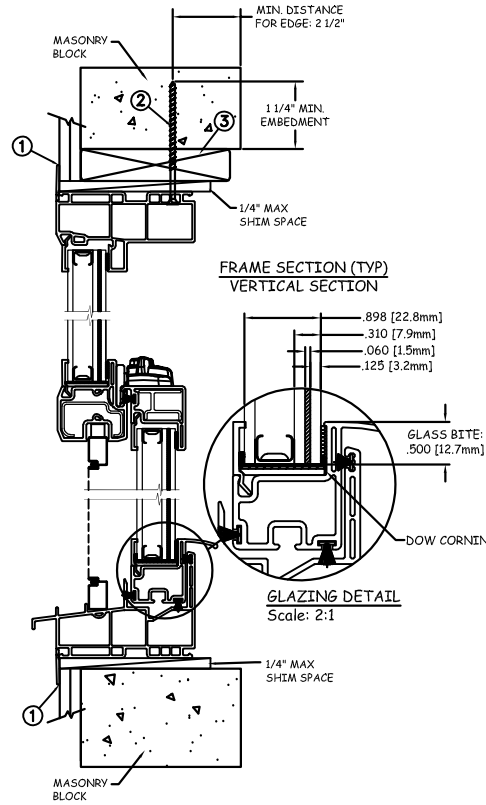
PROJECT ENGINEER: ---	DATE: 08/07/18
DRAWN BY: A. MCMILLAN	SCALE: NTS
CHECKED BY: N. STRAHM	TITLE: Premium Vinyl Tilt Single Hung Impact Window
APPROVED BY: J. GOOSSEN	
PART/PROJECT No.: D014522	
IDENTIFIER No. NCTL-110-160129	PLANT NAME AND LOCATION:

JELD-WEN	3737 Lakeport Blvd Klamath Falls, OR. 97601 Phone: (800) 535-3936		
	CAD DWG. No.:	REV:	SHEET
PremVinylTSH Cert	A	2 OF 4	

MASONRY INSTALLATION



TYPICAL ELEVATION WITH FASTENER SPACING



Max Frame	DP RATING	IMPACT
48 x 84	+50/-55	YES

WINDZONE 2

Installation Notes:

1. Seal flange/frame to substrate. Sill shall be set on a continuous serpentine bead of structural grade silicone caulk when no fastener is used to anchor the sill (typical).
2. Use 3/16" Tapcon or equivalent fasteners through the pre-drilled holes in the head with sufficient length to penetrate a minimum of 1 1/4" into concrete or masonry at each location with a 2 1/2" min. from edge distance. For concrete (min. fc = 3000 psi) or masonry substrate (CMU shall adhere to ASTM C90).
3. Host structure (wood buck, masonry, steel) to be designed and anchored to properly transfer all loads to the structure. The host structure is the responsibility of the architect or engineer of record for the project of installation.

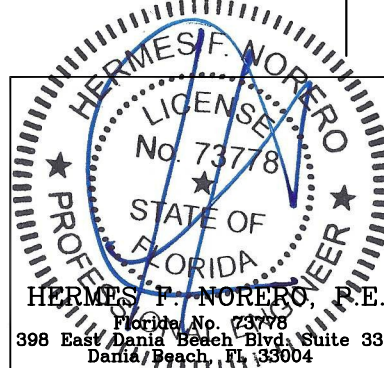
General Notes:

1. The product shown herein is designed, tested and manufactured to comply with the wind load criteria of the adopted International Building Code(IBC), the International Residential Code(IRC), the Florida Building Code(FBC) including HVHZ and the industry requirement for the stated conditions.
2. All glazing shall conform to ASTM E1300.
3. At minimum, glazing shall be 3.2mm annealed - 11.8mm airspace - 3.2mm annealed - 1.5mm PVB Interlayer by Kuraray - 3.2mm annealed insulated glass.
4. Use structural or composite shims where required.

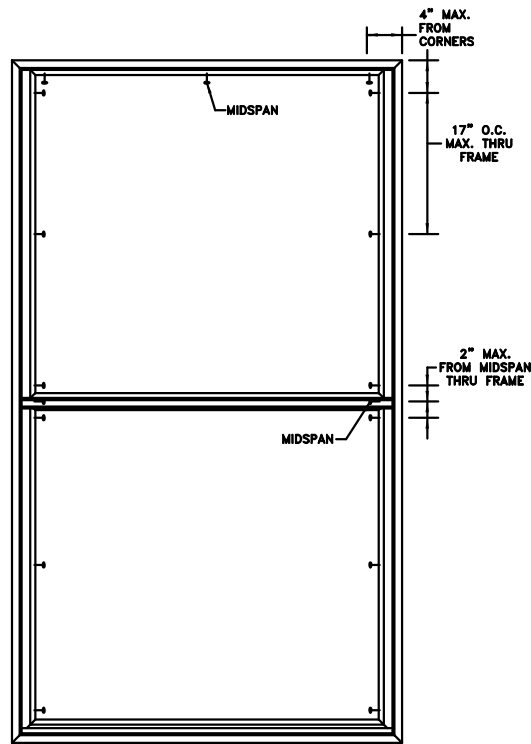
This schedule addresses only the fasteners required to anchor the window to achieve the rated design pressure up to the size limitations noted. It is not intended as a guide to the installation process and does not address the sealing consideration that may arise in different wall conditions. For the complete installation procedure, see the instructions packaged with the window or go to www.jeld-wen.com/resources/installation.

DISCLAIMER:

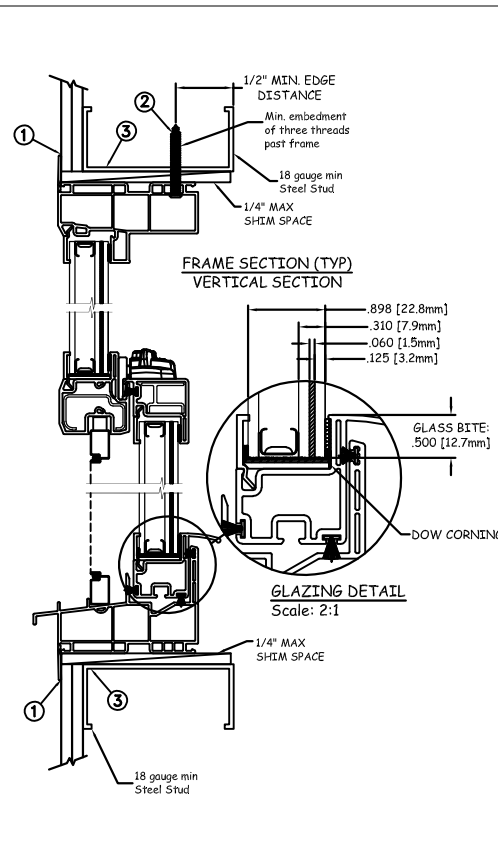
This drawing and its contents are confidential and are not to be reproduced or copied in whole or in part or used or disclosed to others except as authorized by JELD-WEN Inc.



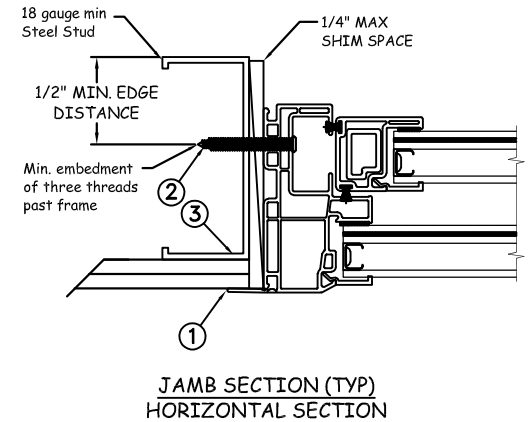
PROJECT ENGINEER: ---	DATE: 08/07/18	JELD-WEN 3737 Lakeport Blvd Klamath Falls, OR. 97601 Phone: (800) 535-3936
DRAWN BY: A. MCMILLAN	SCALE: NTS	
CHECKED BY: N. STRAHM	TITLE: Premium Vinyl Tilt Single Hung Impact Window	
APPROVED BY: J. GOOSSEN		
PART/PROJECT No.: D014522	PLANT NAME AND LOCATION:	
IDENTIFIER No. NCTL-110-160129	CAD DWG. No.: PremVinylTSH Cert	REV: A
		SHEET 3 OF 4



TYPICAL ELEVATION WITH FASTENER SPACING



STEEL INSTALLATION



Max Frame	DP RATING	IMPACT
48 x 84	+50/-55	YES

WINDZONE 2

Installation Notes:

1. Seal flange/frame to substrate. Sill shall be set on a continuous serpentine bead of structural grade silicone caulk when no fastener is used to anchor the sill (typical).
2. For anchoring into metal framing use #8 TEK Self-Tapping screws with sufficient length to achieve a minimum embedment of three threads past the frame thickness. Steel substrate min. 18ga, fy=33ksi.
3. Host structure (wood buck, masonry, steel) to be designed and anchored to properly transfer all loads to the structure. The host structure is the responsibility of the architect or engineer of record for the project of installation.

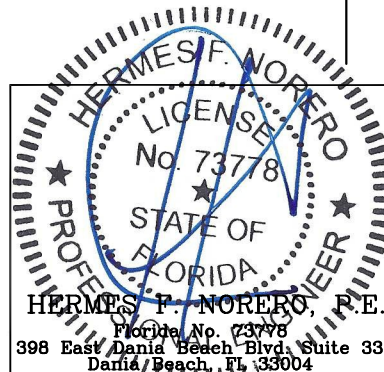
General Notes:

1. The product shown herein is designed, tested and manufactured to comply with the wind load criteria of the adopted International Building Code(IBC), the International Residential Code(IRC), the Florida Building Code(FBC) including HVHZ and the industry requirement for the stated conditions.
2. All glazing shall conform to ASTM E1300.
3. At minimum, glazing shall be 3.2mm annealed - 11.8mm airspace - 3.2mm annealed - 1.5mm PVB Interlayer by Kuraray - 3.2mm annealed insulated glass.
4. Use structural or composite shims where required.

This schedule addresses only the fasteners required to anchor the window to achieve the rated design pressure up to the size limitations noted. It is not intended as a guide to the installation process and does not address the sealing consideration that may arise in different wall conditions. For the complete installation procedure, see the instructions packaged with the window or go to www.jeld-wen.com/resources/installation.

DISCLAIMER:

This drawing and its contents are confidential and are not to be reproduced or copied in whole or in part or used or disclosed to others except as authorized by JELD-WEN Inc.



HERMES F. NORERO, P.E.
 Florida No. 73778
 398 East Dania Beach Blvd, Suite 338
 Dania Beach, FL 33004

PROJECT ENGINEER: ---	DATE: 08/07/18
DRAWN BY: A. MCMILLAN	SCALE: NTS
CHECKED BY: N. STRAHM	TITLE: Premium Vinyl Tilt Single Hung Impact Window
APPROVED BY: J. GOOSSEN	
PART/PROJECT No.: D014522	
IDENTIFIER No. NCTL-110-160129	PLANT NAME AND LOCATION:

JELD-WEN	3737 Lakeport Blvd Klamath Falls, OR. 97601 Phone: (800) 535-3936		
	CAD DWG. No.:	REV:	SHEET
PremVinylTSH Cert	A	4 OF 4	